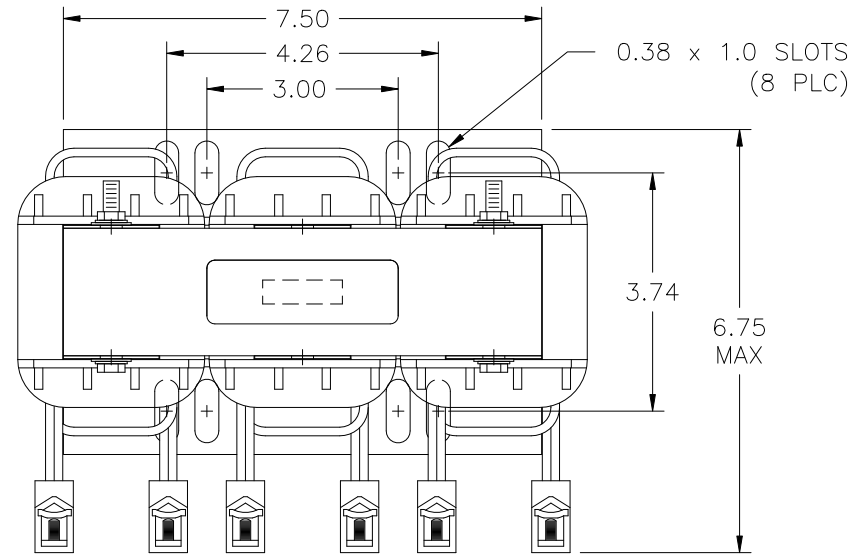


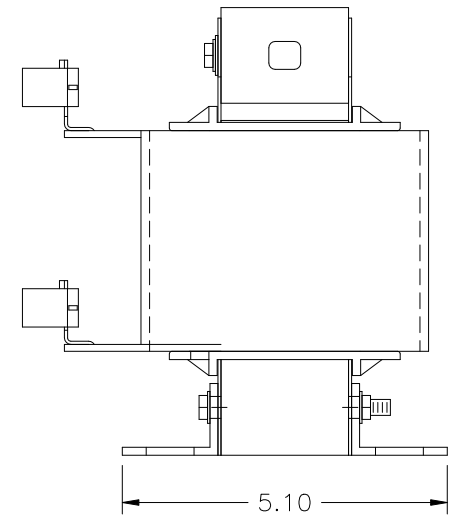
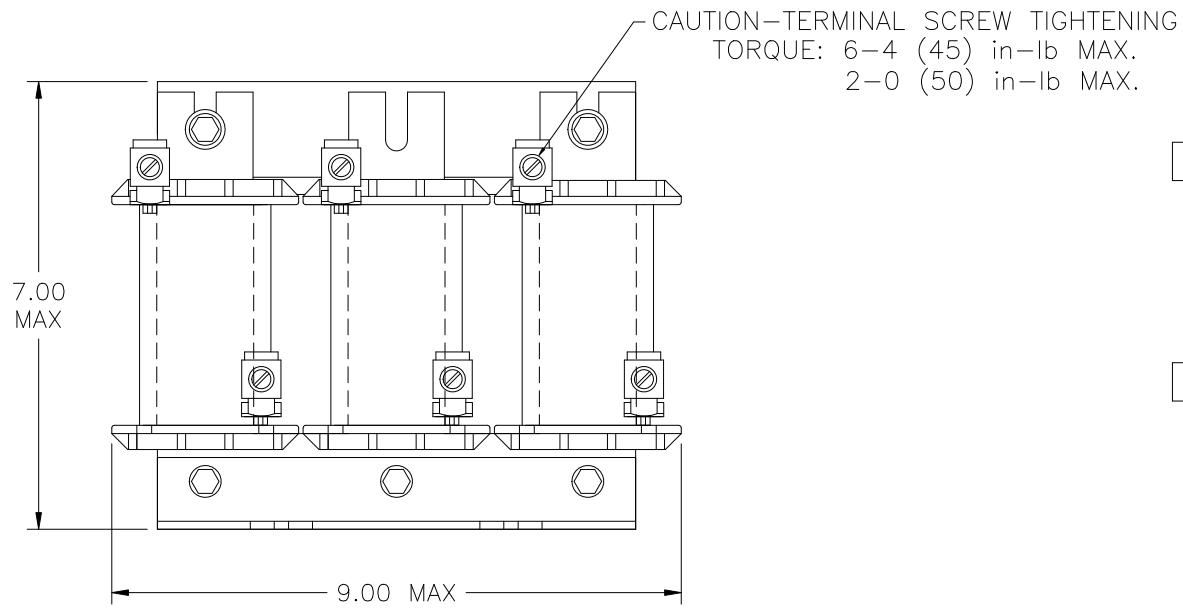
FILE: P:\ENG\PROD\DOC\RLW\RLW-

INDUCTANCE	LOSSES	WEIGHT
0.51 mH	198 Watts	35 Lbs

NO.	CHANGE DESCRIPTION	BY	DATE	C'K'D
-----	--------------------	----	------	-------



WIRE RANGE: 6-0 AWG



UNLESS OTHERWISE SPECIFIED, DIMENSIONS ARE IN INCHES [mm] AND TOLERANCES ARE:

DECI.	FRAC.
ANGLES	DRILLED HOLES

PART NAME:	3 PHASE REACTOR
DESCRIPTION:	OUTLINE DIMENSION
FINISH:	

MTE CORPORATION MENOMONEE FALLS, WISCONSIN			
RLW-008305			REV. 01
SCALE	NTS	DATE	2/06/09
REF.	DR. BY	BF	C'K'D APP'D